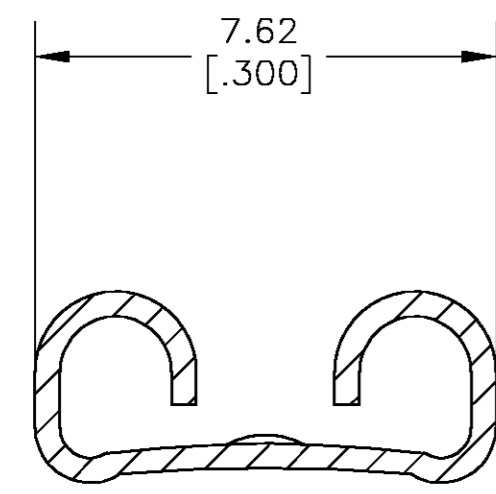


THIS DRAWING IS UNPUBLISHED. RELEASED FOR PUBLICATION
 © COPYRIGHT BY TYCO ELECTRONICS CORPORATION. ALL RIGHTS RESERVED.

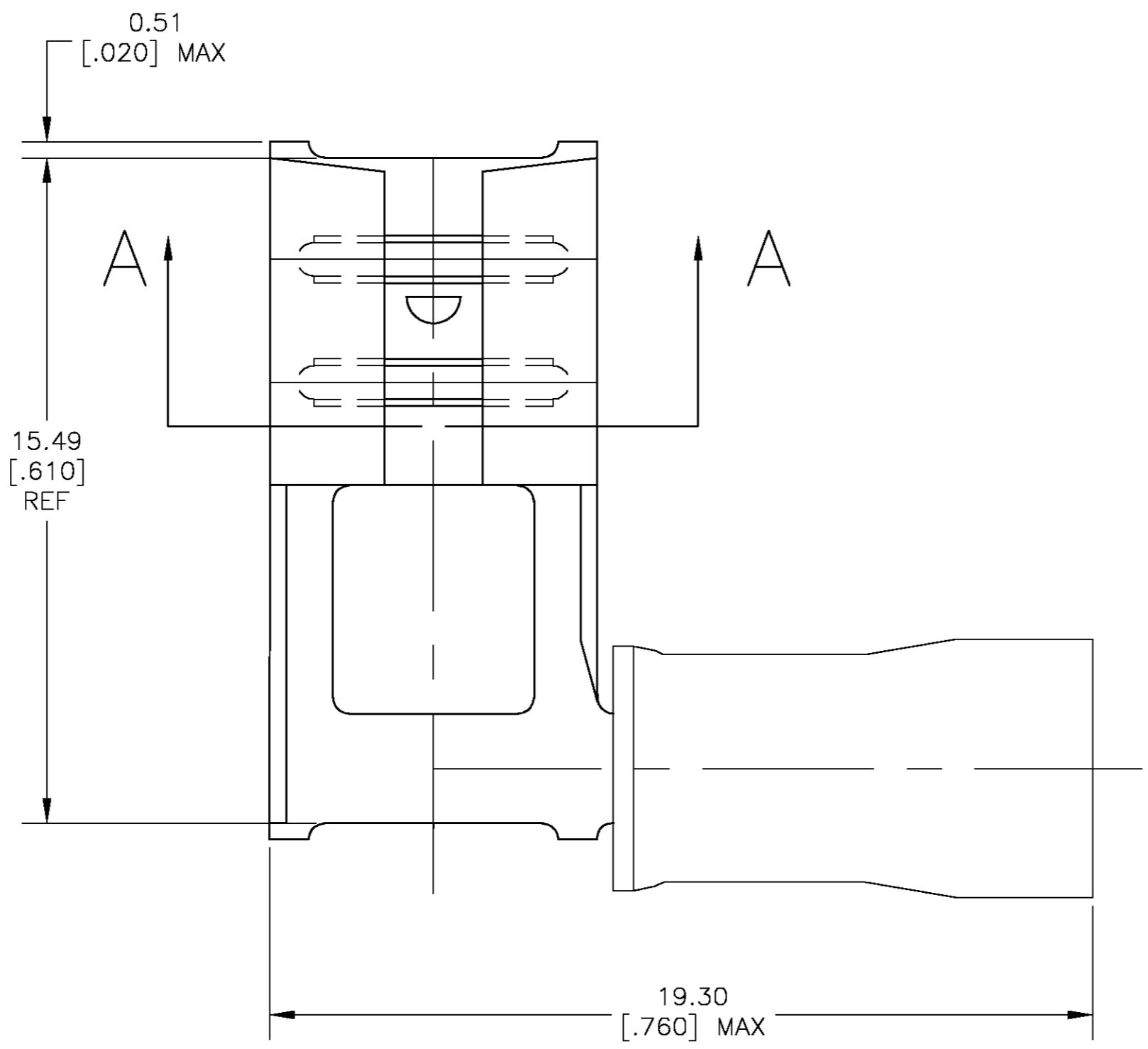
LOC	DIST	REVISIONS					
		P	LTR	DESCRIPTION	DATE	DWN	APVD
G	86	C		REV PER ECR 05-001479	13APR05	JR	TM

AMP WIRE RANGE
 0.3-1.0 mm²
 [22-18] AWG
 STRANDED

- 1 WIRE INSULATION O.D. IS 2.67-3.56 [.105-.140].
- 2 FITS TAB 6.35±0.08 X 0.81±0.025 [.250±.003 X .032±.001].
- △3 MATERIAL: BODY - 0.41 [.016] BRASS
 SLEEVE - COPPER
 INSULATION - NYLON
- △4 FINISH: BODY - TIN-PLATED
 SLEEVE - NICKEL PLATED
 INSULATION - COLOR RED



SECTION A-A



1000	LOOSE PIECE	156667-1
QTY	PACKAGE TYPE	PART NO.

THIS DRAWING IS A CONTROLLED DOCUMENT.		DWN	JR RUTH	03OCT02	Tyco Electronics Corporation Harrisburg, Pa 17105-3608			
DIMENSIONS: INCHES		CHK	T MICHIELUTTI	03OCT02				
TOLERANCES UNLESS OTHERWISE SPECIFIED:		APVD	T MICHIELUTTI	03OCT02				
0 PLC ± - 1 PLC ± - 2 PLC ± 0.25 [.010] 3 PLC ± - 4 PLC ± - ANGLES ± - FINISH		PRODUCT SPEC	NAME					
MATERIAL - △3		APPLICATION SPEC	RECEPTACLE, 250 SERIES FLAG FASTON, PIDG, WIRE SIZE 22-18 AWG		RESTRICTED TO			
FINISH - △4		WEIGHT -	SIZE	A2	CAGE CODE	00779	DRAWING NO	C=156667
CUSTOMER DRAWING		SCALE	1:1		SHEET	1	OF	1
		REV	C					

156667